

P5F Fresnel Light (Track)

175W LED/ 12°- 55°



ORDERING GUIDE

CXP5F - - - - **PSP** -

Mode

CLR All Modes
EZ All EZ Modes
RGB RGB Mode Only
CCT Tunable CCT Mode Only
3200 Fixed 3200K
5600 Fixed 5600K

Finish

WH White
BK Black

Mount

TOX w/ O-type DMX Track Adapter
TEX w/ E-type DMX Track Adapter (Legacy product)

Power Supply & Control

PSP Power Supply w/ Pass-Through DMX

Plug/Connection

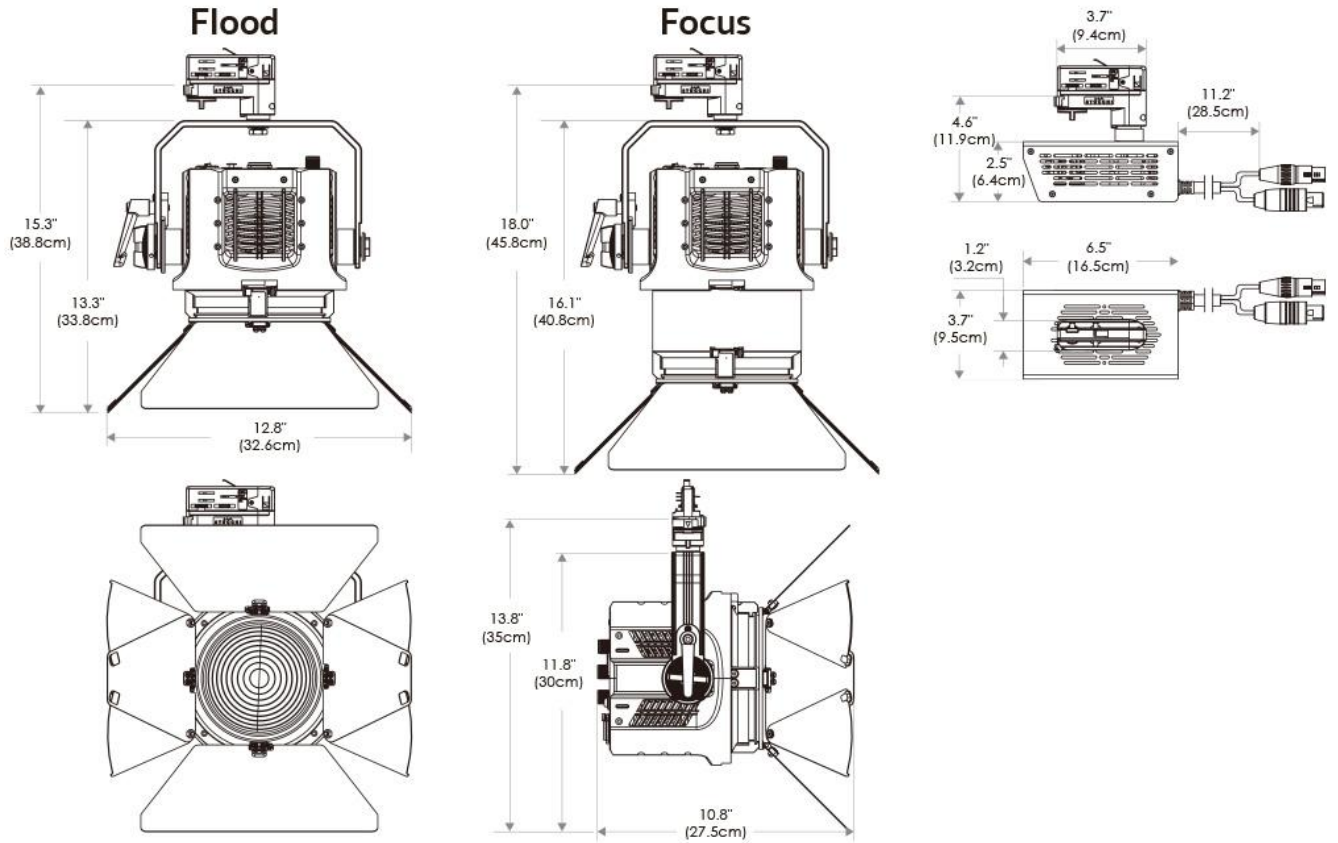
US US 120V
EU EU 220V

SPECIFICATIONS

| | |
|------------------------------------|---|
| Beam Angle | 12°- 55° |
| CRI / TLCI | 95/90 typical (in CCT Mode of 2800K-6500K) |
| Dimming | 100% - 0% flicker free |
| Power Draw | 175W max |
| AC Input | 100 - 240V AC, 50 - 60Hz |
| Remote Control | DMX 512 |
| Cooling | Fan Cooled |
| Operating Temp. | 32 - 104°F (0 - 40°C) |
| Weight (Fixture + Power Supply) | 8.9lb / 4.1kg |

- Cine-Grade Light Quality
- Point-Source LED
- DMX Controllable
- 175W Power Draw
- Compact (< 12" of Vertical Space)

MECHANICAL FIGURES

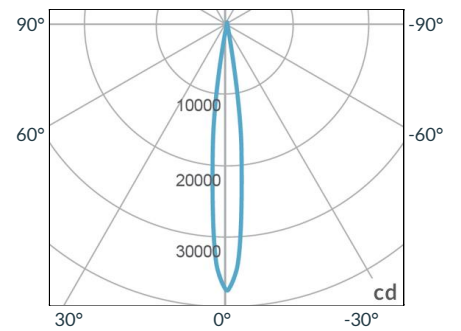


PHOTOMETRIC DATA

Focus

| Distance | | 3' (~0.9 m) | 10' (~3.0 m) | 15' (~4.6 m) |
|---------------|-----|-------------------|-------------------|-------------------|
| @3200K | fc | 3150 | 359 | 128 |
| | lux | 33907 | 3865 | 1378 |
| @5600K | fc | 3296 | 376 | 134 |
| | lux | 35478 | 4048 | 1443 |
| Beam Diameter | | Ø 0.7' (~0.2m) | Ø 2.1' (~0.6m) | Ø 3.5' (~1.1m) |

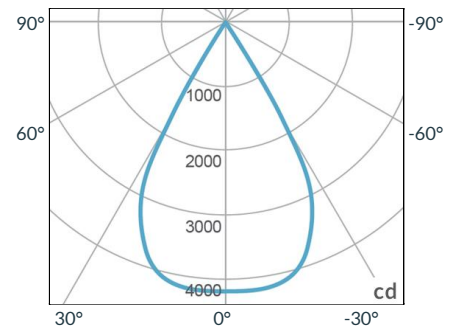
Beam Angle : 12°



Flood

| Distance | | 3' (~0.9 m) | 10' (~3.0 m) | 15' (~4.6 m) |
|---------------|-----|-------------------|-------------------|--------------------|
| @3200K | fc | 385 | 45 | 17 |
| | lux | 4145 | 485 | 183 |
| @5600K | fc | 406 | 47 | 18 |
| | lux | 4371 | 506 | 194 |
| Beam Diameter | | Ø 0.9' (~0.6m) | Ø 8.6' (~2.6m) | Ø 14.4' (~4.4m) |

Beam Angle : 55°



MODE DESCRIPTION

| Mode Description | Available Modes |
|------------------|--|
| - CLR | All Modes (8 bit and 16 bit) |
| - EZ | All EZ Modes (8 bit) (EZ CCT / EZ HSI / EZ RGBW / EZ RGB / EZ ICTHS / EZ ICT RGBW / EZ 3200K / EZ 5600K) |
| - RGB | EZ RGB (8 bit) |
| - CCT | EZ CCT (8 bit) |
| - 3200 | EZ 3200K (8 bit) |
| - 5600 | EZ 5600K (8 bit) |

See Downloads portion of webpage for full DMX profiles